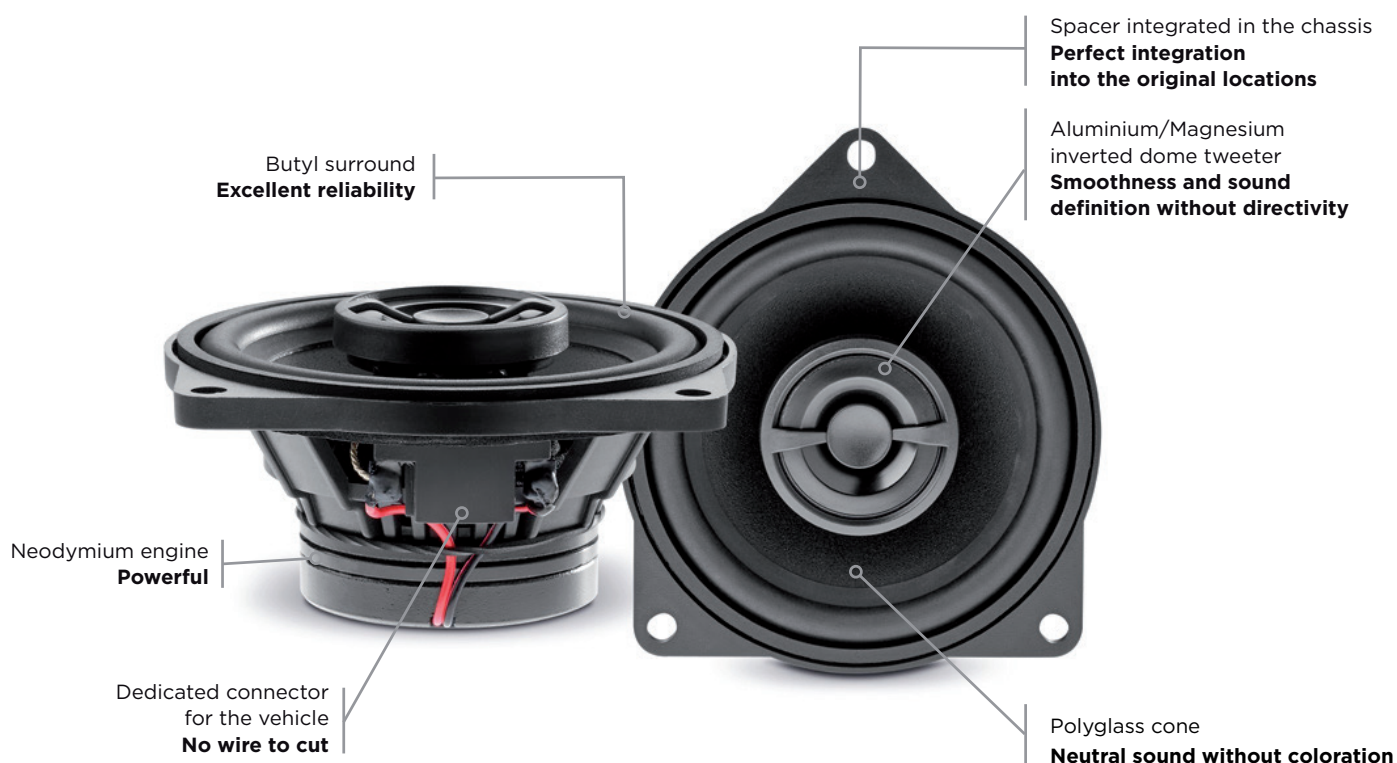


# IC BMW 100

## Product Data Sheet

IC BMW 100 is designed for drivers who want to replace their original audio system with a quality sound solution adapted to their vehicle. This kit is equipped with the neodymium engine and the Aluminium/Magnesium inverted dome tweeter, exclusive Focal technologies for high power handling and perfectly rendered trebles.



### Key Points

- Quick installation
- No wire to cut, no modification
- 100% compatible with your vehicle
- Sound quality superior compared to the original one
- Mounting accessories included

Check your vehicle compatibility at [www.focal-inside.com](http://www.focal-inside.com)

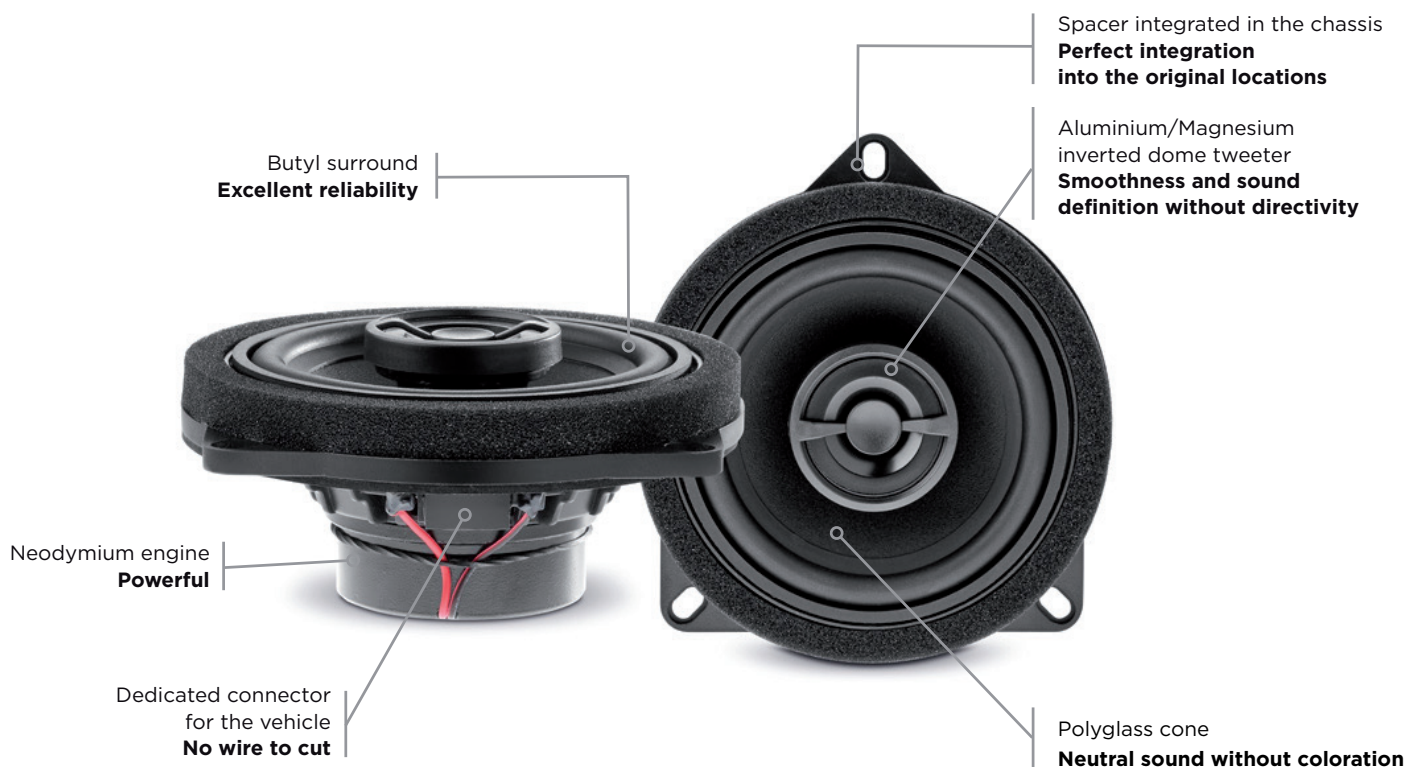
[BMW : Série 1, Série 3, X1, X3...  
Mini : R5, R57...]

Type	2-way coaxial kit
Woofers	5" (100mm)
Tweeter	Inverted dome
Magnet	Neodymium
Cone	Black Polyglass
Surround	Butyl
Impedance	4Ω
Max. power	80W
Nom. power	40W RMS
Sensitivity (2.83V/1m)	89.5dB
Frequency response	80Hz-23kHz
Crossover	Integrated

# IC BMW 100L

## Product Data Sheet

IC BMW 100L is designed for drivers who want to replace their original audio system with a quality sound solution adapted to their vehicle. This kit is equipped with the neodymium engine and the Aluminium/Magnesium inverted dome tweeter, exclusive Focal technologies for high power handling and perfectly rendered trebles.



### Key Points

- Quick installation
- No wire to cut, no modification
- 100% compatible with your vehicle
- Sound quality superior compared to the original one
- Mounting accessories included

Check your vehicle compatibility at [www.focal-inside.com](http://www.focal-inside.com)

[BMW : Série 1, Série 3, Série 5, X1, X3...  
Mini : F56, F57, F60...]

Type	2-way coaxial kit
Woofer	5" (100mm)
Tweeter	Inverted dome
Magnet	Neodymium
Cone	Black Polyglass
Surround	Butyl
Impedance	4Ω
Max. power	80W
Nom. power	40W RMS
Sensitivity (2.83V/1m)	89.5dB
Frequency response	80Hz-23kHz
Crossover	Separated

# ICC BMW 100

## Product Data Sheet

The coaxial central voice ICC BMW 100 is equipped with the neodymium engine and the Aluminium/Magnesium inverted dome tweeter, exclusive Focal technologies for high power handling and perfectly rendered trebles. In addition to delivering quality sound, ICC BMW 100 is quick to install.



### Key Points

- Quick installation
- No wire to cut, no modification
- 100% compatible with your vehicle
- Sound quality superior compared to the original one
- Mounting accessories included

Check your vehicle compatibility at [www.focal-inside.com](http://www.focal-inside.com)

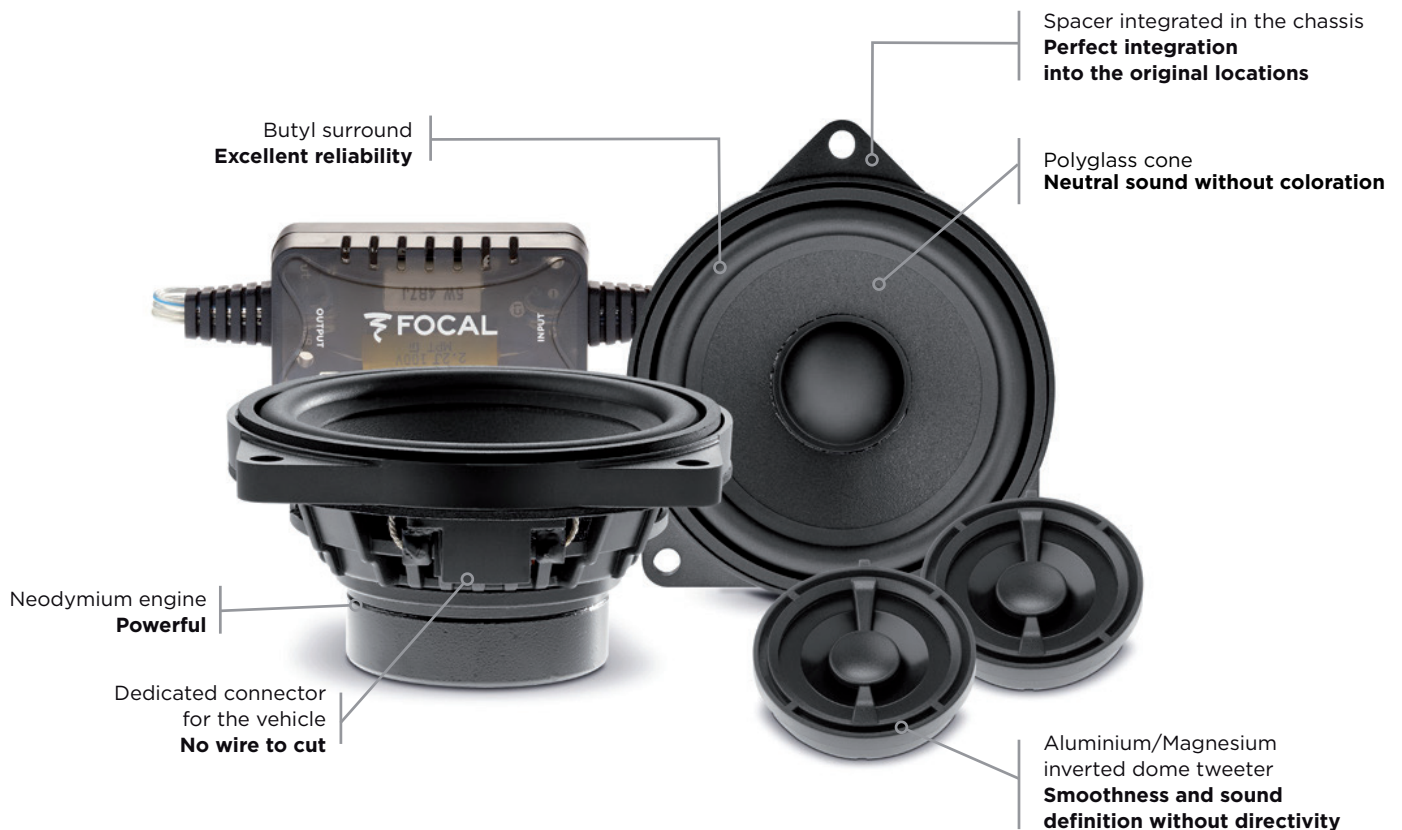
[BMW : Série 3, Série 4, Série 5, X3, Z4...  
Mini : F56, F57, F60...]

Type	Coaxial central voice
Woofer	5" (100mm)
Tweeter	Inverted dome
Magnet	Neodymium
Cone	Black Polyglass
Surround	Butyl
Impedance	4Ω
Max. power	80W
Nom. power	40W RMS
Sensitivity (2.83V/1m)	89.5dB
Frequency response	80Hz-23kHz
Crossover	Integrated

# IS BMW 100

## Product Data Sheet

IS BMW 100 is designed for drivers who want to replace their original audio system with a quality sound solution adapted to their vehicle. This kit is equipped with the neodymium engine and the Aluminium/Magnesium inverted dome tweeter, exclusive Focal technologies for high power handling and perfectly rendered trebles.



### Key Points

- Quick installation
- No wire to cut, no modification
- 100% compatible with your vehicle
- Sound quality superior compared to the original one
- Mounting accessories included

Check your vehicle compatibility at [www.focal-inside.com](http://www.focal-inside.com)

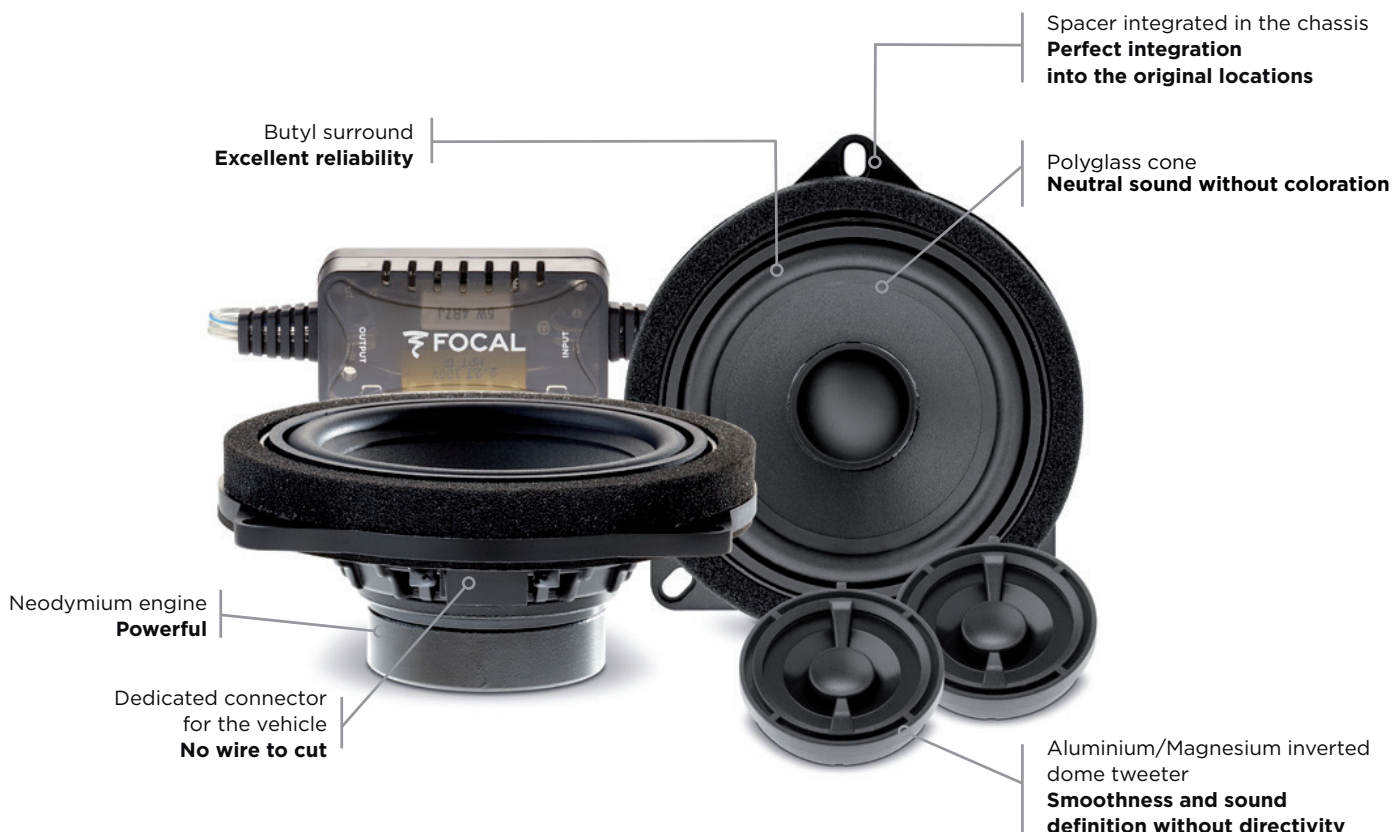
[BMW : Série 1, Série 3, Série 5, X3, I3...  
Mini : R56, R58...]

Type	2-way component kit
Woofer	5" (100mm)
Tweeter	Inverted dome
Magnet	Neodymium
Cone	Black Polyglass
Surround	Butyl
Impedance	4Ω
Max. power	80W
Nom. power	40W RMS
Sensitivity (2.83V/1m)	89.5dB
Frequency response	80Hz-23kHz
Crossover	Separated

# IS BMW 100L

## Product Data Sheet

IS BMW 100L is designed for drivers who want to replace their original audio system with a quality sound solution adapted to their vehicle. This kit is equipped with the neodymium engine and the Aluminium/Magnesium inverted dome tweeter, exclusive Focal technologies for high power handling and perfectly rendered trebles.



### Key Points

- Quick installation
- No wire to cut, no modification
- 100% compatible with your vehicle
- Sound quality superior compared to the original one
- Mounting accessories included

Check your vehicle compatibility at [www.focal-inside.com](http://www.focal-inside.com)

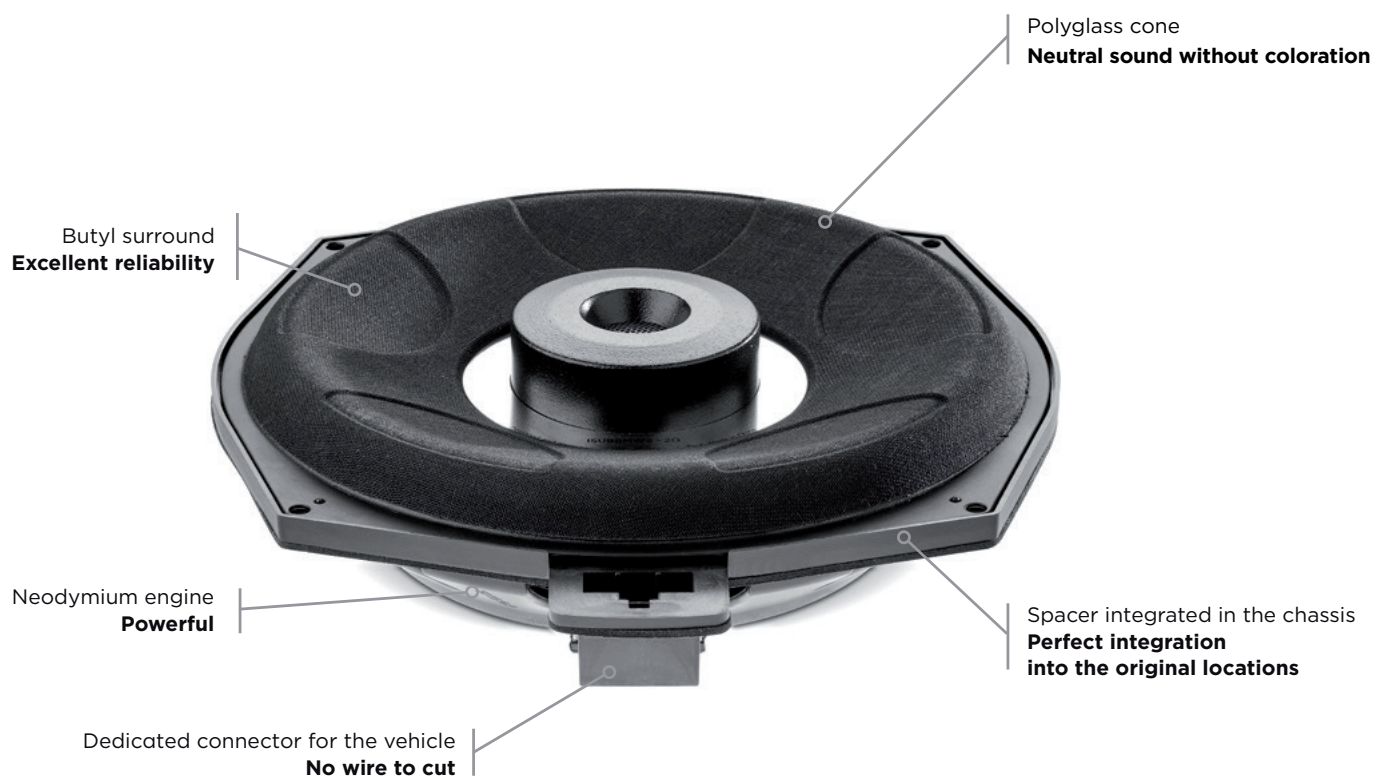
[BMW : Série 1, Série 3, X1, X3...  
Mini : F56, F57, F60...]

Type	2-way component kit
Woofer	5" (100mm)
Tweeter	Inverted dome
Magnet	Neodymium
Cone	Black Polyglass
Surround	Butyl
Impedance	4Ω
Max. power	80W
Nom. power	40W RMS
Sensitivity (2.83V/1m)	89.5dB
Frequency response	80Hz-23kHz
Crossover	Separated

# ISUB BMW 2

## Product Data Sheet

ISUB BMW 2 is a subwoofer that delivers powerful bass thanks to its neodymium engine, a high performing Focal technology. With ISUB BMW 2, the sound is neutral and the install is quick thanks to the spacer integrated in the chassis that allows perfect integration into the original location. With its 2 Ohms impedance, it perfectly associates with the FIT 9.660 amplifier/DSP.



### Key Points

- Quick installation
- No wire to cut, no modification
- 100% compatible with your vehicle
- Sound quality superior compared to the original one
- Mounting accessories included

Check your vehicle compatibility at [www.focal-inside.com](http://www.focal-inside.com)

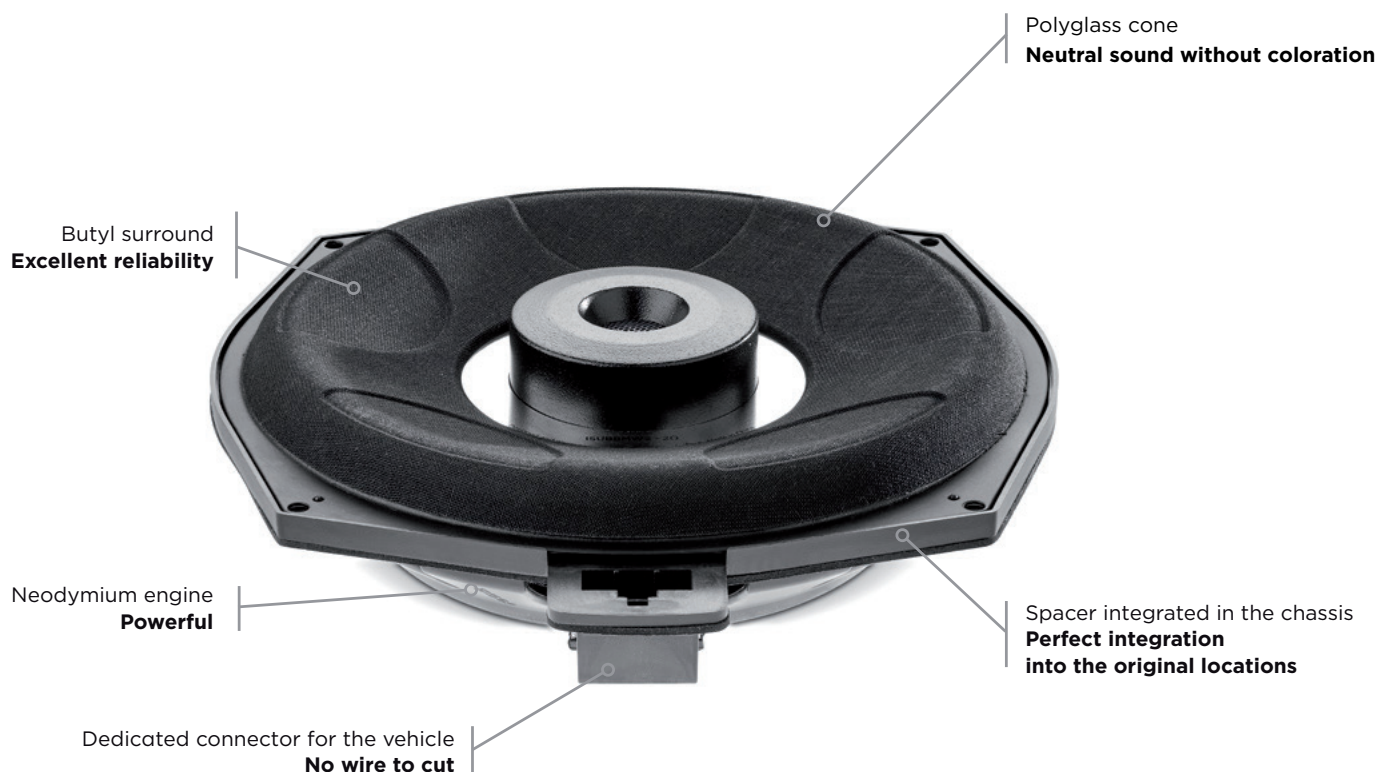
Type	Subwoofer
Woofers	10" (200mm)
Magnet	Neodymium
Cone	Black Polyglass
Surround	Butyl
Impedance	2Ω
Max. power	180W
Nom. power	90W RMS
Sensitivity (2.83V/1m)	83dB
Frequency response	35Hz-200Hz
Crossover	Integrated

[BMW : Série 3, Série 5, X3...  
Mini : F56, F57, F60...]

# ISUB BMW 4

## Product Data Sheet

ISUB BMW 4 is a subwoofer that delivers powerful bass thanks to its neodymium engine, a high performing Focal technology. With ISUB BMW 4, the sound is neutral and the install is quick thanks to the spacer integrated in the chassis that allows perfect integration into the original location. With its 4 Ohms impedance, it is ideal with your original amplification.



### Key Points

- Quick installation
- No wire to cut, no modification
- 100% compatible with your vehicle
- Sound quality superior compared to the original one
- Mounting accessories included

Check your vehicle compatibility at [www.focal-inside.com](http://www.focal-inside.com)

Type	Subwoofer
Woofers	10" (200mm)
Magnet	Neodymium
Cone	Black Polyglass
Surround	Butyl
Impedance	4Ω
Max. power	180W
Nom. power	90W RMS
Sensitivity (2.83V/1m)	83dB
Frequency response	35Hz-200Hz
Crossover	Integrated

[BMW : Série 1, Série 3, Série 5, X1, X4...  
Mini : F56, F57, F60...]